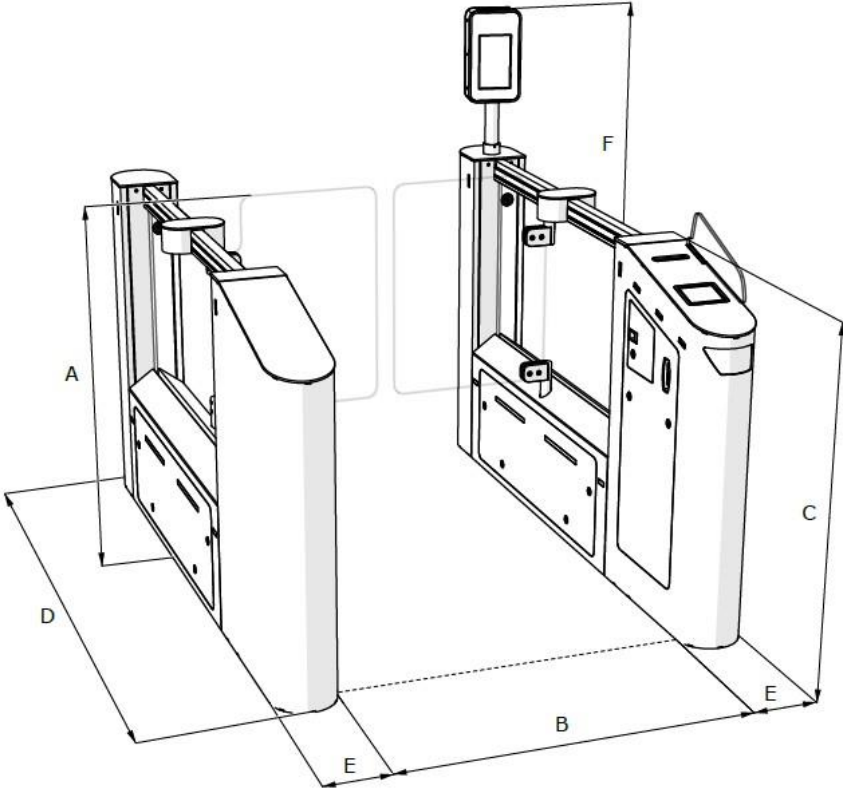


## Request for Quotation / 報價請求

Subject:	Two Self Boarding Gate		
From/由:	Mr. Kim Wong / Patrick So	E-mail/電郵	kimwong@aims.com.mo
Tel/電話:	853-8598 8717 / 8898 2369	Fax/傳真:	853-8598 8711
Date/日期:	23-Apr-2020	Ref:	016-2020-Q

煩請按下列要求報價：

No.	Item / Model / Description	Qty.
1.	<p>Supply and Install Single-Lane Self Boarding Gate at Boarding Gate No.8 and No.9</p>  <p>Product: Gunnebo AFL Gare Fail Lock Mechanism  Dimensions: 170mm(width) x 941mm(height) x 1655mm (length)  Materials: 304 grade stainless steel and 10mm clear safety glass construction</p>	2

Moving panels: 10mm clear safety glass c/w leading edge curved profile

Passage Detection: array of IR beams to detect unauthorized passage by:

- Single person occupancy
- Tailgating
- Wrong way passage
- Left object
- Passage confirmation on exiting

Safety: array of IR beams to detect presence and prevent the moving panels from closing upon a PAX and/or object. The mechanism is further protected by torque sensing thereby should an object be struck the motor will stop driving, back off and reposition. Should be obstruction remains the alarm will sound. The gate system is compliant to EN 16005 guidelines to protect pedestrians using powered doors and EN ISO 13849-1 safety circuit redundancy.

Gate End Display: LED array Red Cross / Green arrow

Scanner: ATD 210 from Access IS

Scanner Illumination: Red/Green LED halo

- Green = PAX to show BCBP
- No illumination = BCBP OK
- Red = BCBP not accepted

PAX Monitor and Cameras Module: Kestronic

PAX Monitor Illumination: Kestronic

Speaker: integrally mounted inside the cabinet/pedestal

Emergency/Deboard Push Button: latching pushbutton mounted on the rear off the exit leg that when depressed will override the current transaction and open the gate moving panels. The panels will remain in open until the button is unlatched.

Access Panels: there is a series of access panels for service and maintenance that are securely lockable to prevent unauthorized access

Integral "Tensator" Barrier: Build into the LH cabinet c/w BLUE tape (Without branding)

Biometric Mounting Pole: 50dia stainless steel pole mounted onto the rear RH cabinet exit leg.

Biometric Sensor Trigger: Entry leg mounted IR Tx/Rx beam array to trigger the biometric capture.

Printer: Thermal Printer

Power: 100Vac/60Hz

Power Rating: 240VA during panel movement and 60VA in standby

Network: Ethernet

Operating Temperature: minus 5oC to plus 50oC

2.	Integrate with our existing CUTE (ARINC vMUSE) System	1
----	---	---

條款:

1. 報價時請列明所有條款
2. 報價請以澳門幣結算及付款方式
3. 註明完成項目週期